

# Product data sheet

Specifications



## 2 safety relay outputs expansion module with spring term

XPSMCMER0002G

Product availability: Non-Stock - Not normally stocked in distribution facility

Price\*: 666.00 USD

### Main

Range Of Product	Preventa Safety automation
Product Or Component Type	Safe relay output module
Device Short Name	XPSMCM
Electrical Connection	Spring terminal
[Us] Rated Supply Voltage	24 V - 20...20 % DC
Number Of Outputs	2 relay
Function Of Module	Monitoring safety actuators relay output

### Complementary

Maximum Power Dissipation In W	3 W
Integrated Connection Type	Not connected to backplane expansion bus
Switching Voltage	10 V DC
Associated Fuse Rating	3.5 A, slow-blow
Safety Level	Can reach category 4 ISO 13849-1 Can reach PL = e ISO 13849-1 Can reach SIL 3 IEC 61508 SILCL 3 IEC 62061
Quality Labels	CE
Output Type	Relay, 2 NO + 1 NC, volt-free
Quantity Per Set	1
Switching Time	12 ms
Maximum Switching Voltage	400 V AC 250 V DC
Minimum Switching Current	20 mA
Maximum Switching Current	6 A
Number Of Terminal Blocks	4
Local Signalling	1 LED green PWR power ON 1 LED green RUN RUN (status) 1 LED red E IN internal error 1 LED red E EX external error 2 LEDs orange ADDR node address 1 LED green/red RELAY K1 relay contact
Connections - Terminals	1 spring clamp terminals, removable terminal block 2 spring clamp terminals, removable terminal block

Price is "List Price" and may be subject to a trade discount – check with your local distributor or retailer for actual price.

<b>Cable Cross Section</b>	0.00...0.00 in <sup>2</sup> (0.2...2.5 mm <sup>2</sup> ) - AWG 24...AWG 14 flexible without cable end 0.00...0.00 in <sup>2</sup> (0.25...2.5 mm <sup>2</sup> ) - AWG 23...AWG 14 flexible with cable end, with bezel 0.00...0.00 in <sup>2</sup> (0.25...2.5 mm <sup>2</sup> ) - AWG 23...AWG 14 flexible with cable end, without bezel 0.00...0.00 in <sup>2</sup> (0.2...2.5 mm <sup>2</sup> ) - AWG 24...AWG 14 solid without cable end 0.00...0.00 in <sup>2</sup> (0.5...1 mm <sup>2</sup> ) - AWG 20...AWG 18 flexible with cable end, with double bezel
<b>Mounting Support</b>	Omega 35 mm DIN rail EN 50022
<b>Width</b>	0.89 in (22.5 mm)
<b>Height</b>	3.90 in (99 mm)
<b>Depth</b>	4.51 in (114.5 mm)
<b>Net Weight</b>	0.55 lb(US) (0.25 kg)

## Environment

<b>Standards</b>	IEC 62061 ISO 13849-1 IEC 61800-5-1 IEC 61508
<b>Product Certifications</b>	RCM TÜV cULus
<b>Ip Degree Of Protection</b>	IP20
<b>Ambient Air Temperature For Operation</b>	14...131 °F (-10...55 °C)
<b>Ambient Air Temperature For Storage</b>	-4...185 °F (-20...85 °C)
<b>Relative Humidity</b>	10...95 %
<b>Pollution Degree</b>	2
<b>[Uimp] Rated Impulse Withstand Voltage</b>	4 kV IEC 61800-5-1
<b>Safety Reliability Data</b>	B10d = 300000 AC-15 230 V, , <3 A ISO 13849-1 B10d = 750000 AC-15 230 V, , <1 A ISO 13849-1 B10d = 10000000 DC-13 24 V, , <2 A ISO 13849-1
<b>Insulation</b>	250 V AC between power supply and housing IEC 61800-5-1
<b>Overvoltage Category</b>	II
<b>Electromagnetic Compatibility</b>	Electrostatic discharge immunity test - test level: 6 kV (on contact) conforming to IEC 61000-4-2 Electrostatic discharge immunity test - test level: 20 kV (on air) conforming to IEC 61000-4-2 Susceptibility to electromagnetic fields - test level: 10 V/m (80...1000 MHz) conforming to IEC 61000-4-3 Susceptibility to electromagnetic fields - test level: 30 V/m (1.4 GHz...2 GHz) conforming to IEC 61000-4-3
<b>Vibration Resistance</b>	+/-0.35 mm 10...55 Hz)IEC 61496-1
<b>Shock Resistance</b>	10 gn 16 ms 1000 shocks on each axis)IEC 61496-1
<b>Electrical Durability</b>	20000000 cycles
<b>Mechanical Durability</b>	20000000 cycles
<b>Service Life</b>	20 year(s)

## Ordering and shipping details

<b>Category</b>	US1SAF222477
<b>Discount Schedule</b>	SAF2
<b>Gtin</b>	3606480748790

---

<b>Returnability</b>	No
----------------------	----

---

<b>Country Of Origin</b>	IT
--------------------------	----

---

## Packing Units

---

<b>Unit Type Of Package 1</b>	PCE
-------------------------------	-----

---

<b>Number Of Units In Package 1</b>	1
-------------------------------------	---

---

<b>Package 1 Height</b>	1.77 in (4.5 cm)
-------------------------	------------------

---

<b>Package 1 Width</b>	5.00 in (12.7 cm)
------------------------	-------------------

---

<b>Package 1 Length</b>	6.38 in (16.2 cm)
-------------------------	-------------------

---

<b>Package 1 Weight</b>	8.50 oz (241.0 g)
-------------------------	-------------------

---

<b>Unit Type Of Package 2</b>	S01
-------------------------------	-----

---

<b>Number Of Units In Package 2</b>	6
-------------------------------------	---

---

<b>Package 2 Height</b>	5.91 in (15.0 cm)
-------------------------	-------------------

---

<b>Package 2 Width</b>	5.91 in (15.0 cm)
------------------------	-------------------

---

<b>Package 2 Length</b>	15.75 in (40.0 cm)
-------------------------	--------------------

---

<b>Package 2 Weight</b>	3.73 lb(US) (1.69 kg)
-------------------------	-----------------------

## Sustainability

**Green Premium™ label** is Schneider Electric's commitment to delivering products with best-in-class environmental performance. Green Premium promises compliance with the latest regulations, transparency on environmental impacts, as well as circular and low-CO<sub>2</sub> products.

**Guide to assessing product sustainability** is a white paper that clarifies global eco-label standards and how to interpret environmental declarations.

[Learn more about Green Premium >](#)

[Guide to assess a product's sustainability >](#)



Transparency RoHS/REACH

## Well-being performance

Reach Free Of Svhc

Mercury Free

Rohs Exemption Information [Yes](#)

Pvc Free

## Certifications & Standards

**Reach Regulation**

[REACH Declaration](#)

**Eu Rohs Directive**

Pro-active compliance (Product out of EU RoHS legal scope)

**China Rohs Regulation**

[China RoHS declaration](#)

**Environmental Disclosure**

[Product Environmental Profile](#)

**Weee**

The product must be disposed on European Union markets following specific waste collection and never end up in rubbish bins.

**Circularity Profile**

[End of Life Information](#)

**California Proposition 65**

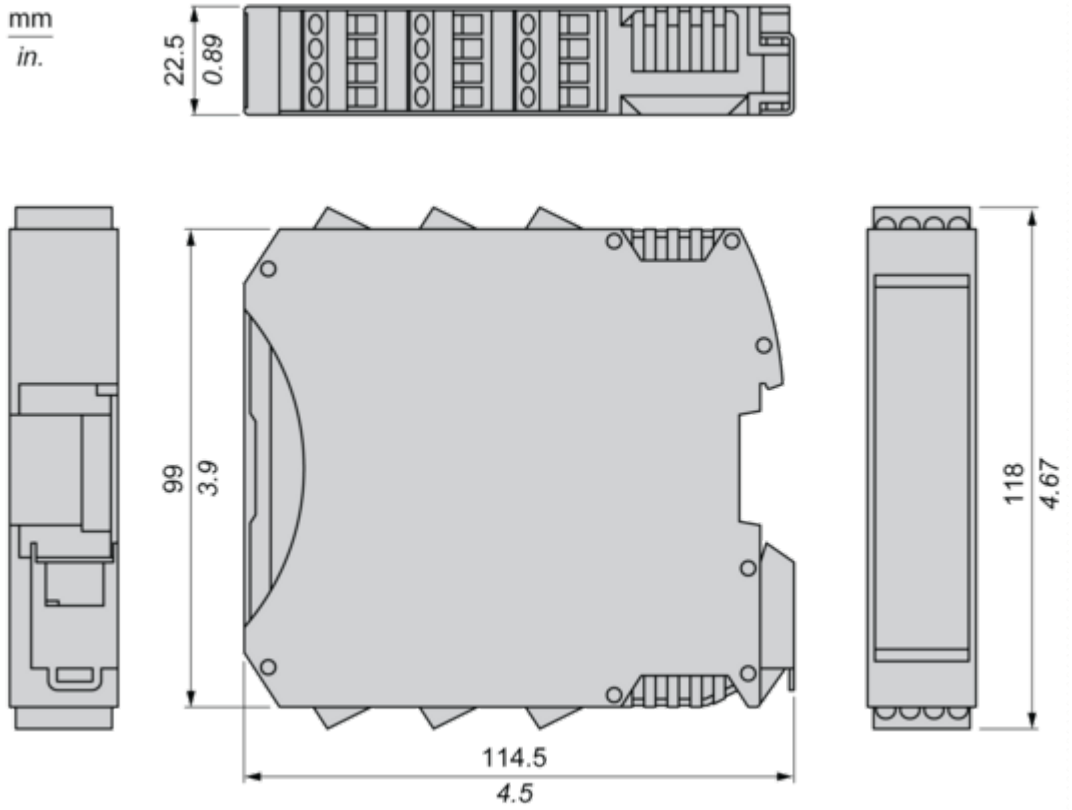
WARNING: This product can expose you to chemicals including: Lead and lead compounds, which is known to the State of California to cause cancer and birth defects or other reproductive harm. For more information go to [www.P65Warnings.ca.gov](http://www.P65Warnings.ca.gov)

Dimensions Drawings

Dimensions

---

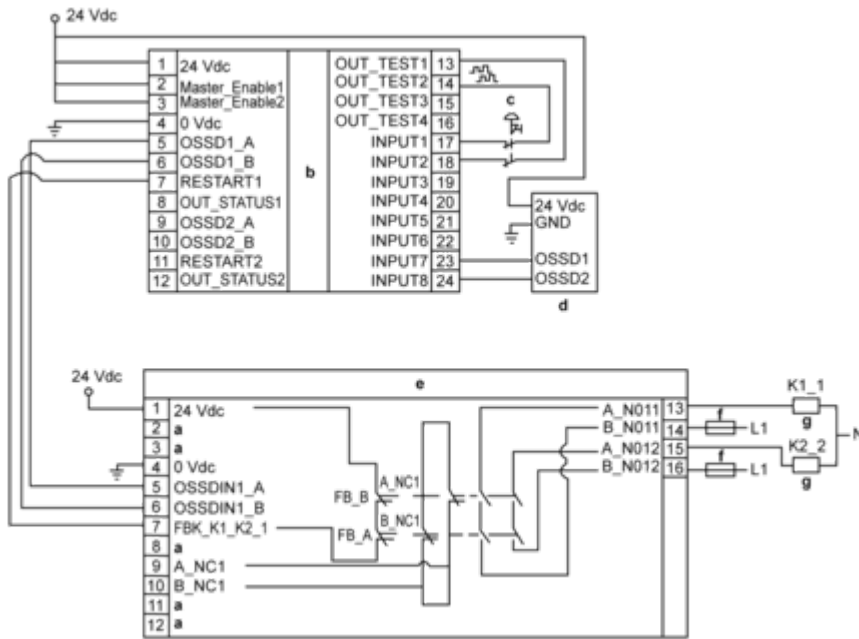
Spring Terminal



Connections and Schema

Wiring

Wiring Example



- a : Not connected
- b : Safety controller CPU
- c : Emergency stop
- d : Light curtain